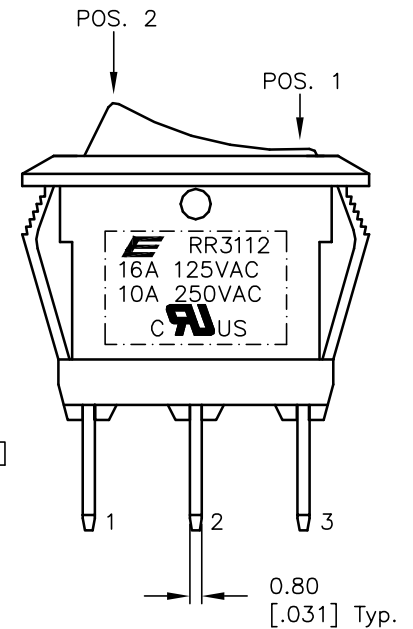
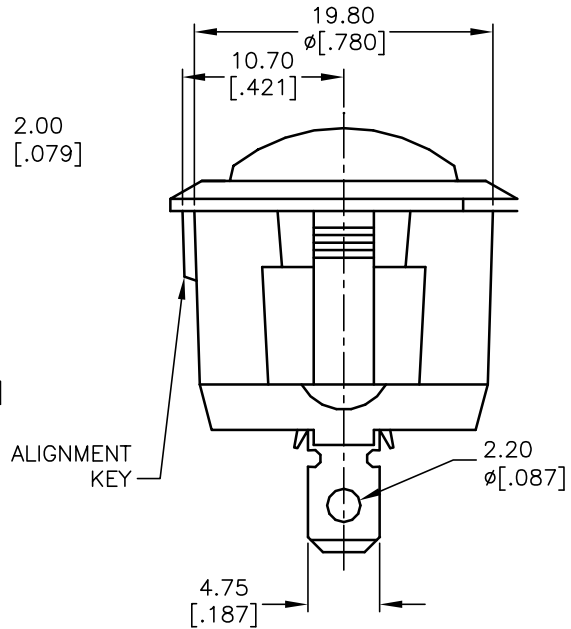
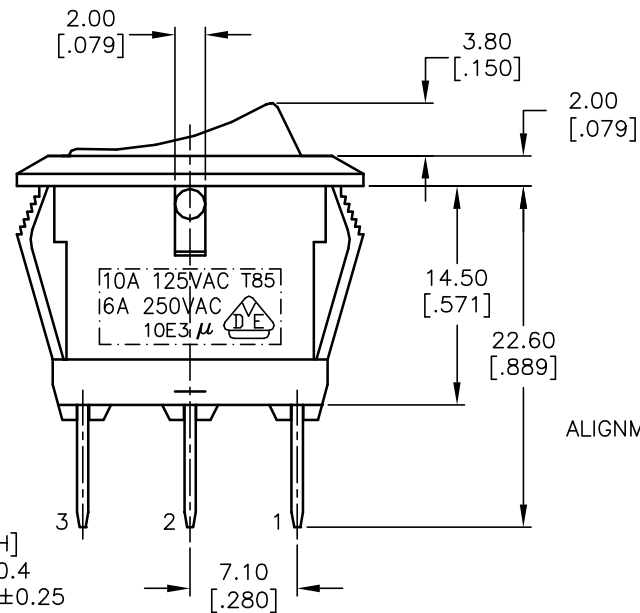
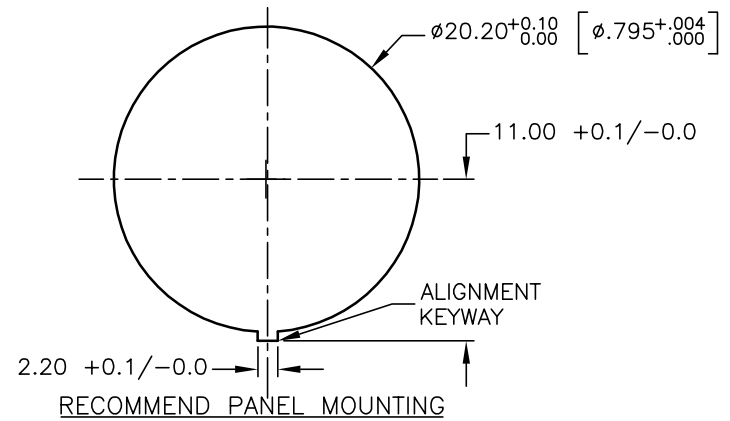


CIRCUIT: 2P; SPST
CONTACT CONFIGURATION
ON-OFF (ILLUMINATED)



SWITCH FUNCTION	
POS. 1	POS. 2
ON	OFF
2-1	OPEN

NOTES:

1. ALL DIMENSIONS IN MM [INCH]
2. GENERAL TOLERANCE: 0.0=±0.4
0.00=±0.25
3. TERM. NOS. FOR REF. ONLY
4. RATING: 16A, 125VAC, 10A, 250VAC UL&CUL APPROVED
10A 125VAC, 6A 250V AC VDE APPROVED
5. CONTACT RESISTANCE: 50m ohm max.
6. INSULATION RESISTANCE: DC 500V 100M ohm min.
7. DIELECTRIC STRENGTHS: AC 1500V 1 minute
8. OPERATING TEMP.: 0°C to 85°C
- ▲ 9. LAMP: 110V NEON
10. ▲ DENOTES CRITICAL PARAMETER.

E-SWITCH®

B	13813	UPDATE PART AND NOTES	3/2/04	AR
A	12774	RELEASED FOR PRODUCTION	1/28/03	CB
REV.	ECN No.	DESCRIPTION	DATE	CHKD

TITLE
RR3112BBLKBLKREDNEF

SCALE	DATE	DR	DWG	REV
2:1	1/28/03	CB	F130450	B

THE INFORMATION CONTAINED IN THIS DOCUMENT IS PROPRIETARY TO E-SWITCH AND IS NOT TO BE COPIED OR TRANSFERRED